

Auto Dispense PSA Felt

Manual or Automated / Robotic Pick



Model: AFF-330



3750 Lansing Rd. Ste A
Perry, MI 48872
888/949-0066

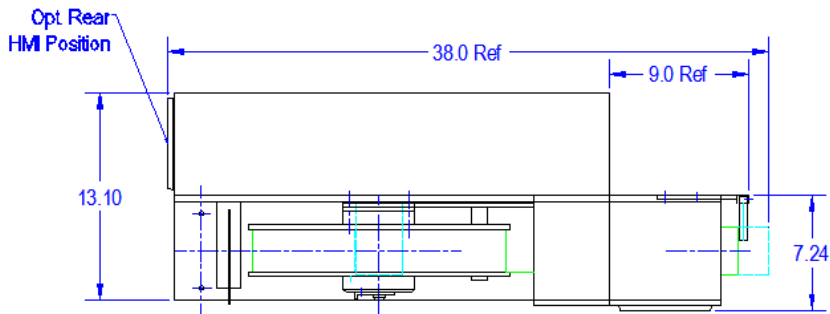
www.aptek-inc.com
Email: aptek@aptek-inc.com

Features

- Singulates and Peels Poly backed PSA Felt for manual or automatic pick
- Widths 1/2" to 3" Adjustable
- Feed lengths 1/2" TO 3"
- Integral PLC with HMI for Set-Up and Run
- Quick Tool Less Roll Change
- Standalone Table Top or Integrated Fixed Mount

Specifications

<i>Plug & Play Configuration</i>	<i>120 VAC & 30 PSI Air</i>
<i>Manual or Auto Mode</i>	<i>6061 Aluminum Construction</i>
<i>Stock Reel Size Std. 16" Dia x 3" Core</i>	<i>Idlers & Main Hub—Sealed Bearings</i>
<i>Cycle: 60PPM on a 1" feed</i>	<i>Power Vent</i>
<i>9-Pin I/O for Handshaking with Robot</i>	<i>Integrated Cycle Counter on HMI</i>



2D & 3D Cad Available

